



# The system 181

FOR pH, DISSOLVED OXYGEN, TURBIDITY OR CONDUCTIVITY –  
EASY. DIGITAL. RELIABLE.



a xylem brand

# Controller 181 –

- IQ entry level - one controller, one sensor
- Digital – for reliable data transfer
- WTW quality – proven, robust, durable

## Great technology at low price

Get decades of experience from WTW and use the established technology. With the excellent cost-performance ratio you can save time, work and money!



pH

D.O.

Turb

Cond

## Flexibility

Our digital controller DIQ/S 181 for pH, dissolved oxygen, turbidity or conductivity enables sensor changes at any time - and cable lengths of up to 250 m.

## 1 Controller. 1 Sensor.

Get started into the digital world and stay sustainable with the state-of-the-art technique. No preamplifier, reliable data transfer, automatic sensor recognition!



## Applications

Developed for wastewater, successfully in drinking water and process for years: The robust products of WTW are made for any application. Try it yourself!



In drinking water: SensoLyt® 700 IQ F for different pH ranges



In the aeration: calibration free FDO 700 IQ F for dissolved oxygen



In the outlet: VisoTurb® 700 IQ F turbidity sensor with ultrasonic cleaning

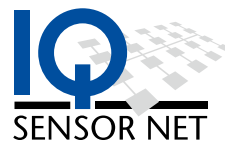


In the process: TetraCon® 700 IQ F 4 electrodes conductivity cell

## Your benefits at a glance

You want to replace or renew your analog measuring point? Then the WTW system 181 offers an extremely cost-effective solution:

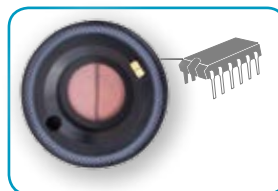
- reliable by proven technique
- cost-effective in purchase and maintenance
- durable by robust manufacturing
- low maintenance turbidity sensor by ultrasonic cleaning
- calibration free optical D.O. sensor



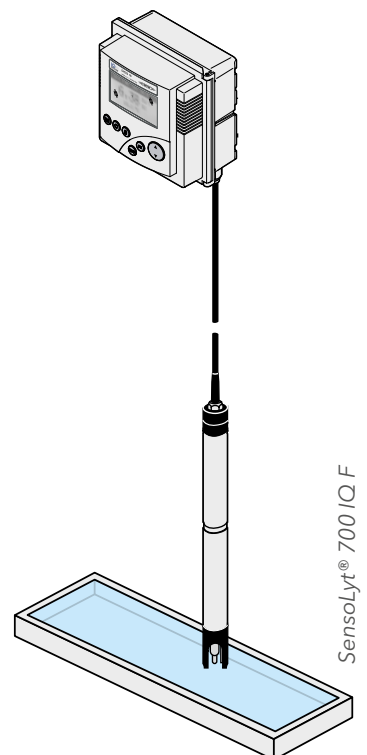
Robust technique by stainless steel



Ultrasonic cleaning for turbidity



Calibration free D.O. sensor cap



SensoLyt® 700 IQ F

## The system 181 at the web



Detailed technical data and mounting accessories you can find under [www.wtw.de/en/iqsn-181](http://www.wtw.de/en/iqsn-181) (For convenience use our QR code).

## Technical data

Connectable sensors	1 sensor with 10 m fixed cable
Current outputs and relays	2 x (0) 4-20 mA 3 x relays
Parameters	pH 0 ... 14 (e.g. with electrode SensoLyt® DWA) ORP ±2000 mV Cond 10 µS/cm ... 500 mS/cm D.O. 0.0 ... 60.0 mg/l bzw. 0 ... 600 % (electrochemical) D.O. 0 ... 20.00 mg/l bzw. 0 ... 200.0 % (optical) Turbidity 0.05 ... 4000 FNU
Cable length sensor	10 m fixed cable
Max. total cable length	250m (DIQ/JB and SNCIQ Cable per meter are required)
Power supply	Wide range mains converter (100-240VAC) or 24V
Connectable modules	DIQ/CHV (Cleaning Head Valve)

## Order information

Model	Description	Order No.
<b>Controller</b>		
DIQ/S 181	Universal controller to connect 1 digital IQ F-sensor, with 2 x (0)4-20 mA and 3 x relays.	472 100
DIQ/S 181/24V	Universal controller to connect 1 digital IQ F-sensor, with 2 x (0)4-20 mA and 3 x relays, for 24 V AC/DC power supply.	472 101
<b>Sensors</b>		
SensoLyt® 700 IQ F	pH/ORP sensor with 10 m fixed cable for SensoLyt® electrodes.	109 177
TriOxmatic® 700 IQ F	D.O. sensor with 10 m fixed cable, supplied with accessory kit (ZBK 600).	201 643
FDO 700 IQ F	Calibration free optical D.O. sensor with 10 m fixed cable, factory calibrated.	201 656
FDO 701 IQ F	Calibration free optical D.O. sensor with 10 m fixed cable, factory calibrated, with fast response.	201 658
TetraCon® 700 IQ F	4 electrode conductivity cell with 10 m fixed cable.	302 507
VisoTurb® 700 IQ F	Turbidity sensor with 10 m fixed cable and ultrasonic cleaning.	600 007
<b>SensoLyt® electrodes</b>		
SensoLyt® SEA	pH electrode, measuring range 2 ... 12 pH, for use with SensoLyt® 700 IQ F	109 115
SensoLyt® SEA-HP	pH electrode, measuring range 4 ... 12 pH, for use with SensoLyt® 700 IQ F	109 118
SensoLyt® DWA	pH electrode, measuring range 0 ... 14 pH, for use with SensoLyt® 700 IQ F	109 119
SensoLyt® ECA	pH electrode, measuring range 2 ... 12 pH, for use with SensoLyt® 700 IQ F	109 117
SensoLyt® PtA	ORP electrode, measuring range ±2000 mV, for use with SensoLyt® 700 IQ F	109 125



**Xylem Analytics Germany Sales GmbH & Co. KG, WTW** · Dr.-Karl-Slevogt-Straße 1 · D-82362 Weilheim · Germany  
Phone: +49 881 183-0 · Fax: +49 881 183-420 · E-Mail: Info.WTW@XylemInc.com · [www.WTW.com](http://www.WTW.com)

All names are registered trademarks or trademarks of Xylem Inc. or one of its subsidiaries. Technical changes reserved.  
© 2017 Xylem Analytics Germany Sales GmbH & Co. KG.

999148US

Dezember 2017

